

EASY LASER RANGE

WITH MULTI-LEVEL MARKING

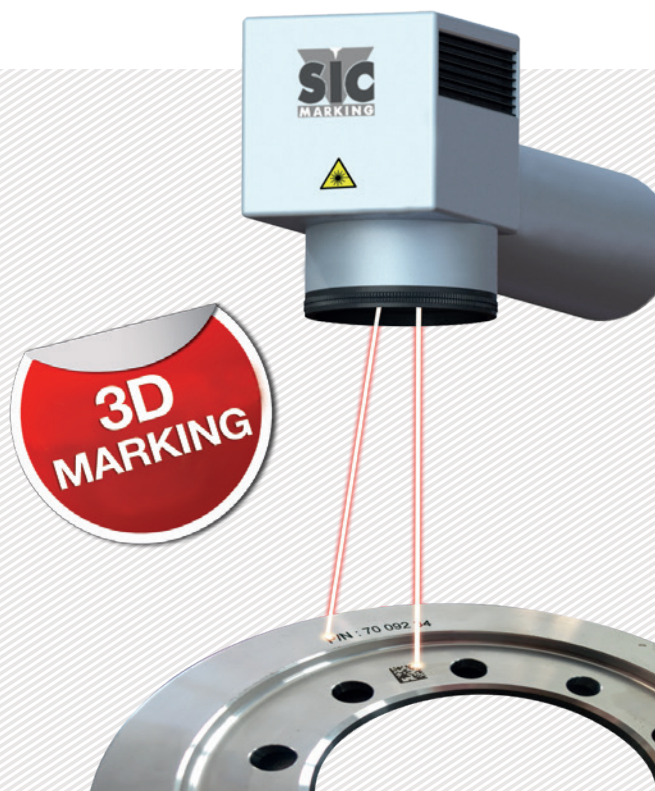


+ PERFORMANCE

- Marking of parts with collars, hollow or rounded surfaces
- Height compensation up to 80 mm
- Fast Reference Change

+ EASE OF INTEGRATION

- Working distance adjustment by software
- No head movement to change the marking area
- Easy sealing of laser beams when integrated in a protective sleeve

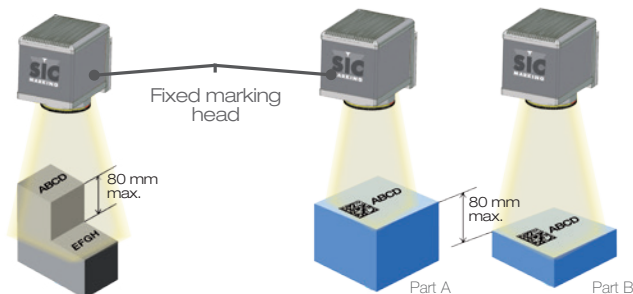


MULTI-LEVEL MARKING FUNCTIONING

The liquid lens option is controlled by an electronic card which modifies the focal length.

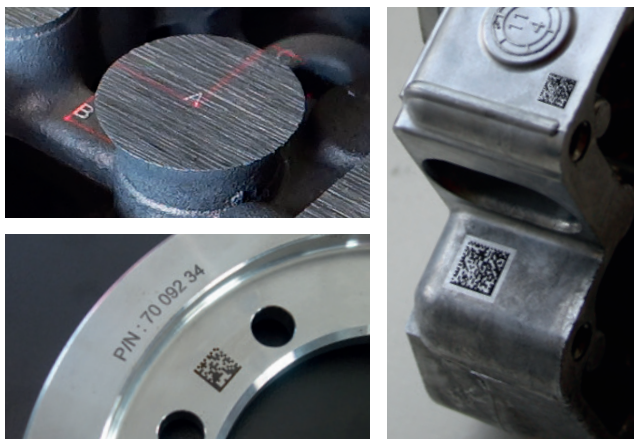
The lens deforms with an electrical signal. If it converges the focus point gets closer. On the contrary, if it diverges the focus point moves away.

The multi-level marking option is available for our entire laser range.

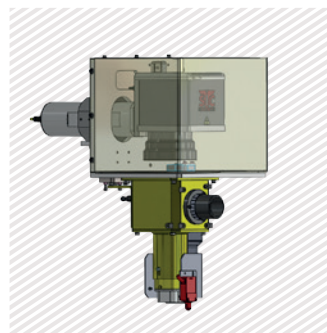


- Marks one part at two different height levels.
- Marks parts of different heights in the same production series.

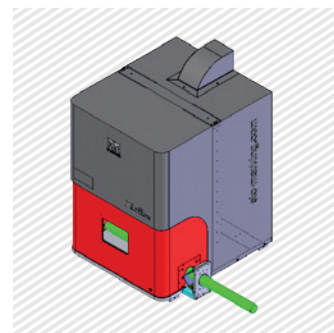
LASER MARKING EXAMPLES



APPLICATIONS



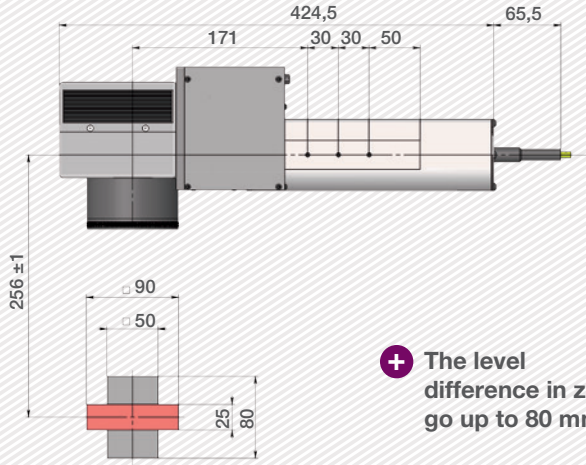
Integration of the Easy marking head in a protective sleeve.



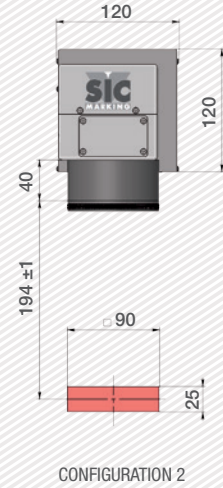
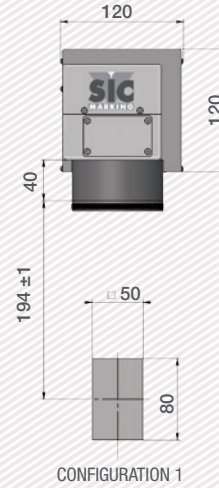
Adjustment of the marking area according to the part's diameter.

TECHNICAL FEATURES

Multi-Level option	
Marking window	□ 50mm à □90mm
Weight	Control unit: 19 kg - Marking head: 5kg
Security	Class 4 Laser (EN60825-1 standard) to secure
Control	SIC laser ADVANCED



+ The level difference in z can go up to 80 mm.



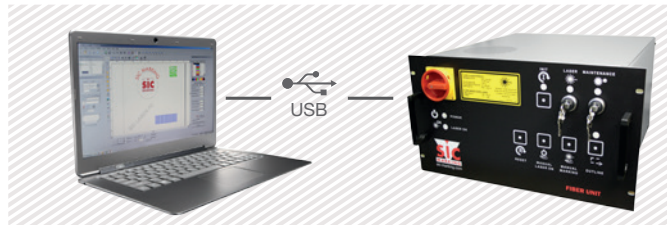
SIC LASER ADVANCED SOFTWARE

Functions	Creating and editing marking files (drawing, text, barcode, Datamatrix code,...)
Laser Adjustments	Several pen settings (speed, power, frequency...)
Fonts	TrueType, 1D bar code et 2D code (Datamatrix)
Import Function	Pictures (.bmp, .jpg), and vector files (.plt, .dxf, .ai)
Database	Link with external files (.txt, .xls)
Communication	I/O TOR, RS232, Profinet, Ethernet IP

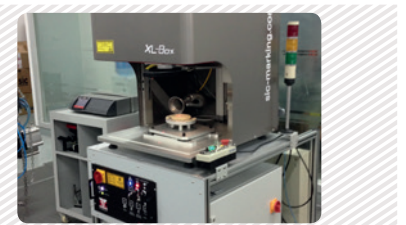


+ User-friendly interface

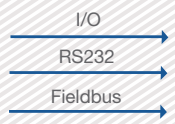
AVAILABLE ON OUR WORKSTATIONS



+ Secured closure of the box, class 1 (EN 60825-1)



AVAILABLE ON OUR INTEGRATED SYSTEMS



+ Laser Class 4 (EN 60825-1) to secure

