

Smart-VS



AI enabled

MLAS - Machine Learning Assisted Setting



THE SMART VISION SENSOR ENABLED WITH A.I. AND EMPOWERED BY MACHINE LEARNING ASSISTED SETTING ALGORITHMS. SIMPLY CLEVER SOLUTION FOR ALL YOUR PRESENCE AND ORIENTATION OBJECT DETECTION APPLICATIONS

- Machine Learning Assisted Setting
- No vision Tools programming required
- No inspection threshold adjustment
- No need of skilled installers and users
- Fast and Easy Setting like standard photosensor
- Deterministic response time 50ms
- Reduced cost of ownership and maintenance
- TEACH Button and comprehensive UI with 5 status LEDs
- Electronic focus control
- 50...150mm operating distance
- Bright and visible Red LED pointer
- Powerful white polarized light illuminator
- Green/Red LED Spot for GOOD/NO GOOD part
- Ethernet point to point communication available
- Easy and Intuitive WEB Server GUI for maintenance and job setting
- Easy output interface photosensor like

APPLICATIONS

- Processing and packaging machinery
- Transport and handling lines
- Assembly lines
- Food & Beverage
- Bottling lines
- Machines for the Cosmetic and Pharmaceutical sector

ELECTRICAL FEATURES

| | |
|--|--|
| Power | |
| Supply Voltage (Vdc) | 10 to 30 Vdc |
| Consumption (A) Max. | 0.40 - 0.14 A (4.2 W) |
| Communication Interface | |
| Ethernet ¹ | 10/100 Mbit/s |
| Inputs | Opto-coupled and polarity insensitive |
| Max. Voltage | 30 Vdc |
| Max. Input Current | 10 mA |
| Output Type | Push-pull, NPN or PNP, short circuit protected |
| Outputs | 3 Outputs (DATA VALID, GOOD, NO GOOD) |
| $V_{OUT} (I_{LOAD} = 0 \text{ mA}) \text{ Max.}$ | 30 Vdc |
| $V_{OUT} (I_{LOAD} = 100 \text{ mA}) \text{ Max.}$ | 3 Vdc |
| $I_{LOAD} \text{ Max.}$ | 100 mA |

¹ The embedded Ethernet interface is intended for configuration only through connection to the device IP. Point-to-Point connection is recommended.

TECHNICAL DATA

Optical and Detection Features

| | |
|--|-----------------------|
| Operating distance | 50...150 mm |
| View angle | 19° |
| FOV area @ 50 mm | 22 mm (H) x 16 mm (V) |
| FOV area @ 150 mm | 55 mm (H) x 41 mm (V) |
| Response Time | 50 ms |
| Max. Image to handle (GOOD+NO GOOD) | 6 images |
| Max pcs per second | 20 pcs per second |
| Active Area Resolution | 320x240 pixels |
| Illuminator | White LED polarized |

Physical Features

| | |
|-------------------|---|
| Dimensions | H x W x L 78 x 47 x 38 mm (3.1 x 1.9 x 1.5 in) 58 x 47 x 58 mm (2.3 x 1.9 x 2.3 in) |
| Weight | 173 g (6.1 oz) |
| Material | Aluminum with plastic PMMA protective window |

Environmental Features

| | |
|--|---|
| Operating Temperature² | -10 to 50 °C (14 to 122 °F) |
| Storage Temperature | -20 to 70 °C (-4 to 148 °F) |
| Max. Humidity | 90% non-condensing |
| Vibration Resistance | 14 mm @ 2 to 10 Hz; 1.5 mm @ 13 to 55 Hz; 2 g @ 70 to 500 Hz; 2 hours on each axis |
| Shock Resistance | 30 g; 11 ms; 3 shocks on each axis |
| Protection Class³ | IP65 and IP67 |

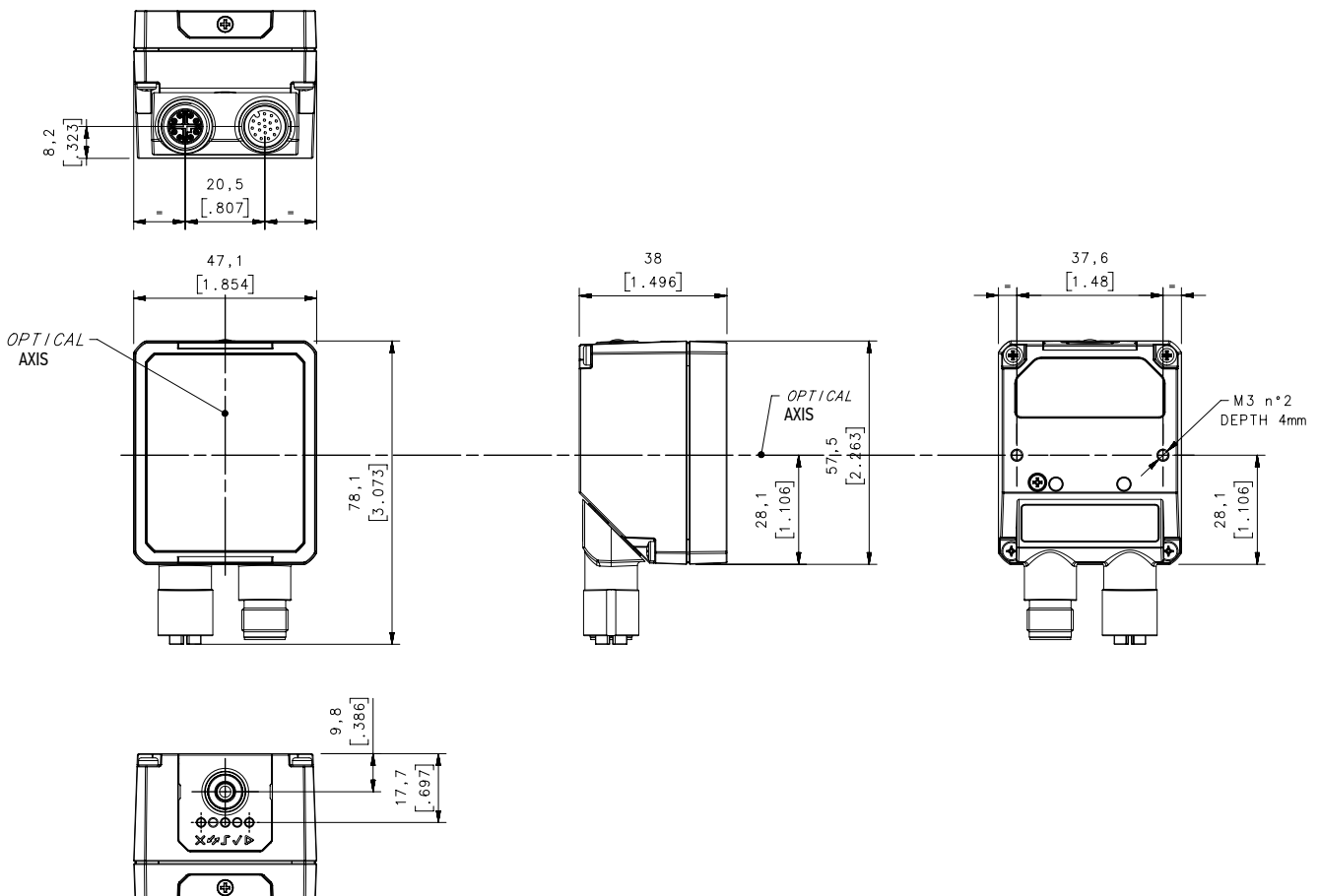
1 The embedded Ethernet interface is intended for configuration only through connection to the device IP. Point-to-Point connection is recommended.

2 High ambient temperature applications should use metal mounting bracket for heat dissipation.

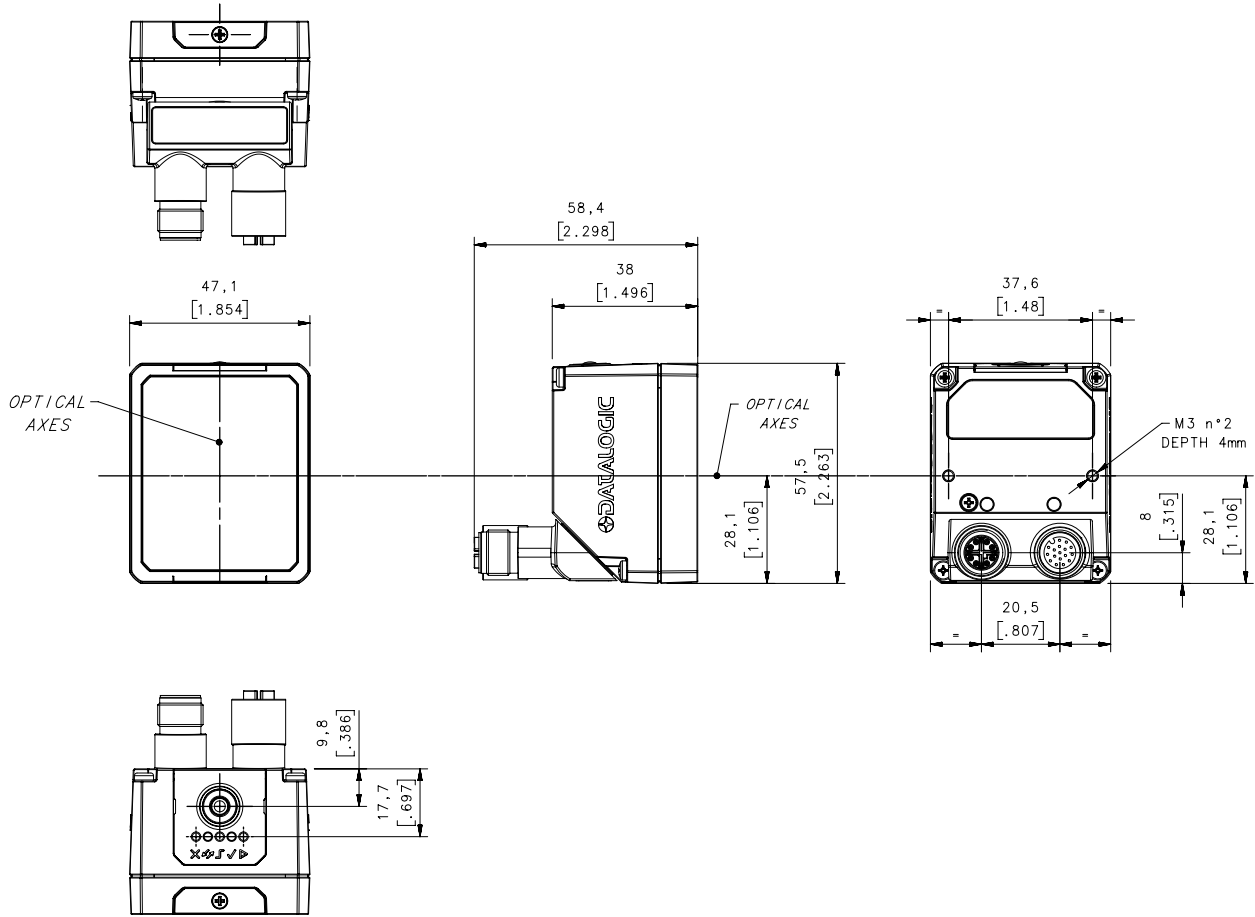
3 When correctly connected (fully tightened) to IP67 cables with seals.

DIMENSIONS

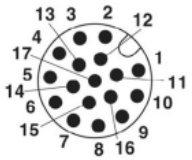
Smart-VS STRAIGHT CONNECTORS



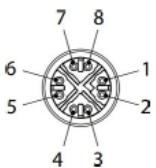
SMART-VS 90° CONNECTORS



CONNECTIONS

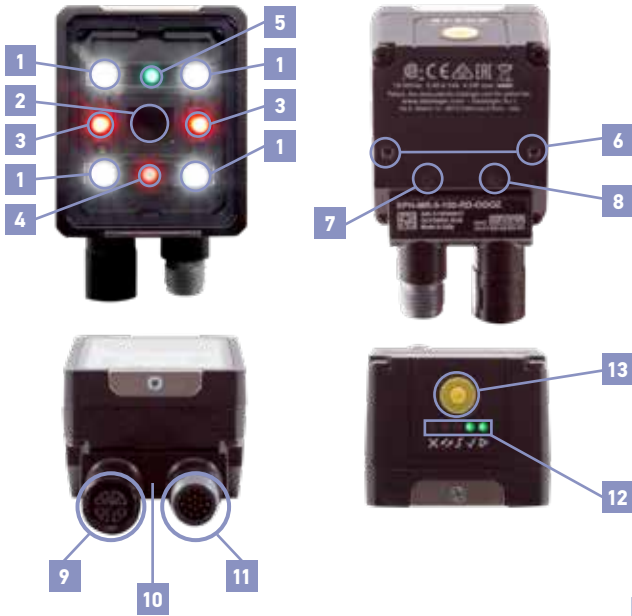


| M12 17-pin Power, COM, and I/O Connector Pinout | | | |
|---|---------|--------------|--|
| Pin | Nome | Colore | Funzione |
| 1 | Vdc | Marrone | Power supply input voltage + |
| 2 | GND | Blu | Power supply input voltage - |
| Connector case | Chassis | | Connector case provides electrical connection to the chassis |
| 6 | I1A | Yellow | I1A Trigger Input A (Polarity Insensitive) |
| 5 | I1B | Pink | I1B Trigger Input B (Polarity Insensitive) |
| 13 | I2A | White/Green | I2A Remote Teach A (Polarity Insensitive) |
| 3 | I2B | White | I2B Remote Teach A (Polarity Insensitive) |
| 9 | O1* | Red | Data Valid PP |
| 8 | O2* | Grey | GOOD Output PP |
| 16 | O3* | Yellow/Brown | NO-GOOD Output PP |



| M12 8-pin Standard Ethernet Network Connector Pinout | | |
|--|------|------------------------------|
| Pin | Name | Function |
| 1 | TX+ | Transmit data (positive pin) |
| 2 | TX- | Transmit data (negative pin) |
| 3 | RX+ | Receive data (positive pin) |
| 4 | RX- | Receive data (negative pin) |
| 5 | nc | Not Connected |
| 6 | nc | Not Connected |
| 7 | nc | Not Connected |
| 8 | nc | Not Connected |

INDICATORS AND SETTINGS

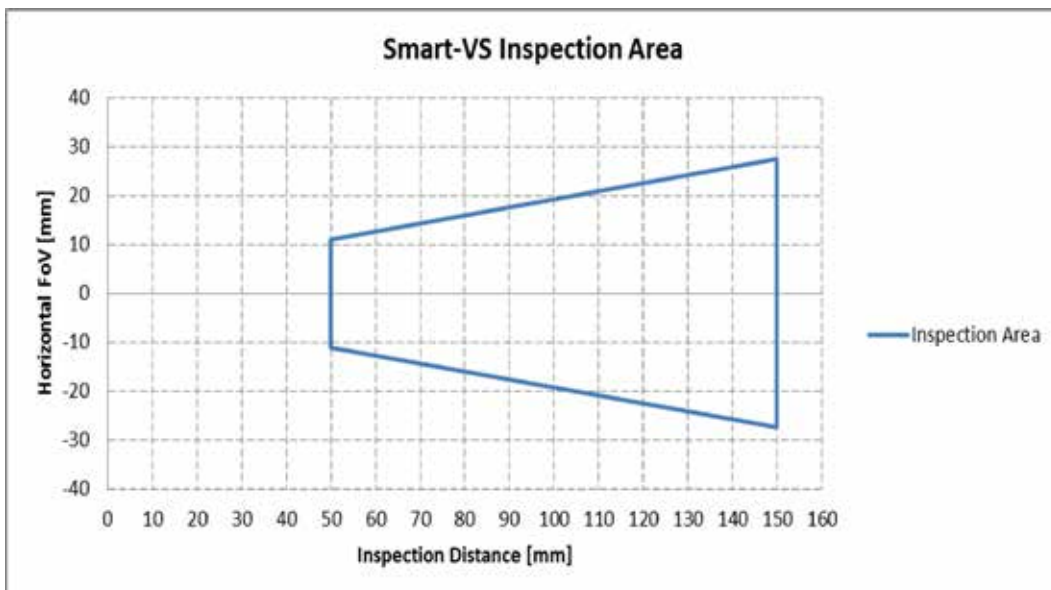


| ITEM N. | DESCRIPTION |
|---------|---|
| 1 | Illuminator with 4 powerful White LEDs with polaroid filter |
| 2 | 7mm lens with automatic focus system |
| 3 | Aiming system with 2 powerful Red LEDs |
| 4 | Red Spot illuminator LED for NO GOOD detection object |
| 5 | Green Spot illuminator for GOOG detection object |
| 6 | 2 holes for direct mounting or bracket |
| 7 | Blue Power Supply LED |
| 8 | Yellow Ethernet connection LED |
| 9 | M12 Ethernet X-coded female connector |
| 10 | Rotating connector block |
| 11 | M12-17 Pin Power Supply and I/O male connector |
| 12 | 5 bright LED for User Interface signalization |
| 13 | Yellow TEACH-IN button for sensor set-up |



| HMI CONFIGURATION | |
|-------------------|--|
| | NO GOOD object <ul style="list-style-type: none"> • blinking: NO GOOD object teaching • in Run phase: NO GOOD object detected |
| | For future use |
| | Trigger <ul style="list-style-type: none"> • trigger received |
| | GOOD object <ul style="list-style-type: none"> • blinking: GOOD object teaching • in Run phase: GOOD object detected |
| | Run <ul style="list-style-type: none"> • device in RUN phase |

DETECTION DIAGRAMS



FIELD OF VIEW CALCULATION

Use the data in the following table to calculate the FOV for your application, referring to the draw and the formula below.

| D_0 | View angle horizontal | View angle vertical | View angle diagonal | Min Reading Distance mm |
|-------|-----------------------|---------------------|---------------------|-------------------------|
| 11 mm | 19° | 14,5° | 24° | 50 mm |

The viewing angle has a tolerance of $\pm 1^\circ$ depending on the reading distance.

$$FOV_x = 2 [(d + d_0) * \tan (\alpha/2)]$$

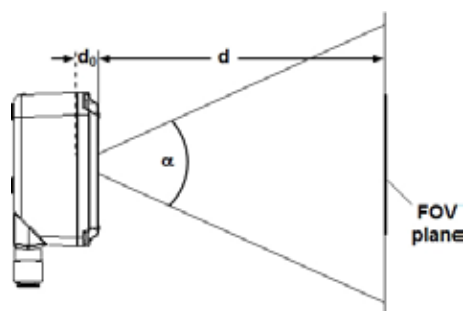
where:

FOV_x = horizontal, vertical or diagonal FOV

α = horizontal, vertical or diagonal viewing angles.

d = reading distance (in mm) from window surface to code surface

d_0 = offset (in mm) from center of lens to external window surface



Example:

The FOV at a **reading distance of 100 mm** is:

$FOV_H = 2[(100\text{mm} + 11\text{mm}) * \tan(19^\circ/2)] \cong 37\text{mm}$

$FOV_V = 2[(100\text{mm} + 11\text{mm}) * \tan(14,5^\circ/2)] \cong 28\text{mm}$

OPERATING PRINCIPLES AND APPLICATIONS

Smart-VS simply clever

The Smart-VS is a Smart vision sensor simple and clever. It is simple outside since it can be handled and used like a standard photoelectric sensor but powerful and smart inside with a multiprocessor platform supporting and embedding the Artificial Intelligence technology. Its customized machine learning algorithms are empowering the detection system core enabling very complex and accurate object classification ensuring at same time a very simple setting procedure by the user

The user does not have to take care about programming or setting threshold of different vision tools, all these complex functionalities are operated by the Smart-VS "brain".

The detection function will be accomplished with three easy and fast steps. The quick step is the GOOD condition teaching the second step is no good condition teaching the third will turn the sensor in learning and normal run status ready to detect GOOD or NO GOOD objects. The user will just present the objects in front of sensor eye and push the button to change acquisition steps until the sensor will start to think and act.










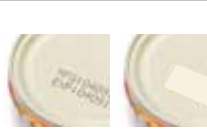




The sensor is especially suited for all the applications where it is needed to solve detection between two well specified object condition classes, like presence or absence of a specific feature or object orientation respect two sides, teaching the sensor with GOOD and NO GOOD condition.

The Smart-VS principle of working is to teach the sensor with GOOD and NO GOOD object condition, this is the basic rule for any application.

This is the reason why it can be used in an effective and reliable way for the presence/absence of object features for side orientation of objects referring to proper object attributes.

This working principle makes the sensor setting easy and independent by the type, material, color of the object that needs to be detected.

| Application name | | Solved cases (OK / NOT OK) | |
|-------------------------|---|---|---|
| Check label presence |  |  |  |
| Cap orientation |  |  |  |
| Cap presence |  |  |  |
| Check printing on label |  |  |  |

The main application targeted for the best use of the Smart-VS is mainly related to print and apply application where it is needed to detect presence or absence of Labels or text printing.

Liquid filler machineries where it is needed to detect the presence/absence of any kind of cap on any kind of bottles, vials, flasks, phials of any material, does not matter if made of glass, plastic or with bright dark color shiny surfaces and different dimensions. Just make the sensor teach and learn the GOOD/NO GOOD condition and it will work. You do not need to set vision tools, sensitivity thresholds, image exposition, focus, sensor positioning or sensor sensitivity.

Bottling machines where it is needed to check if the label is present or not on the object making the sensor learning the presence/absence and then make it work immediately without additional settings, just pressing a push button or building up different receipts for different formats with an effective and easy WEB GUI interface.

Application name

| | |
|-------------------------|---|
| Check label presence |  |
| Cap orientation |  |
| Cap presence |  |
| Check printing on label |  |

A great value for all the applications

The Smart-VS redefines the standard detection eliminating all the concerns regarding the use of standard sensors about unstable detection or complex installation layouts to perform the presence/absence or orientation applications, a Smart-VS based system will ensure:

- more stability in terms of different object materials and shape
- excellent stability on glass and metal parts
- more simple system installation
- more flexibility and adaptability about different production format
- easy setting avoiding more expensive and complex devices
- lower cost of ownership and maintenance

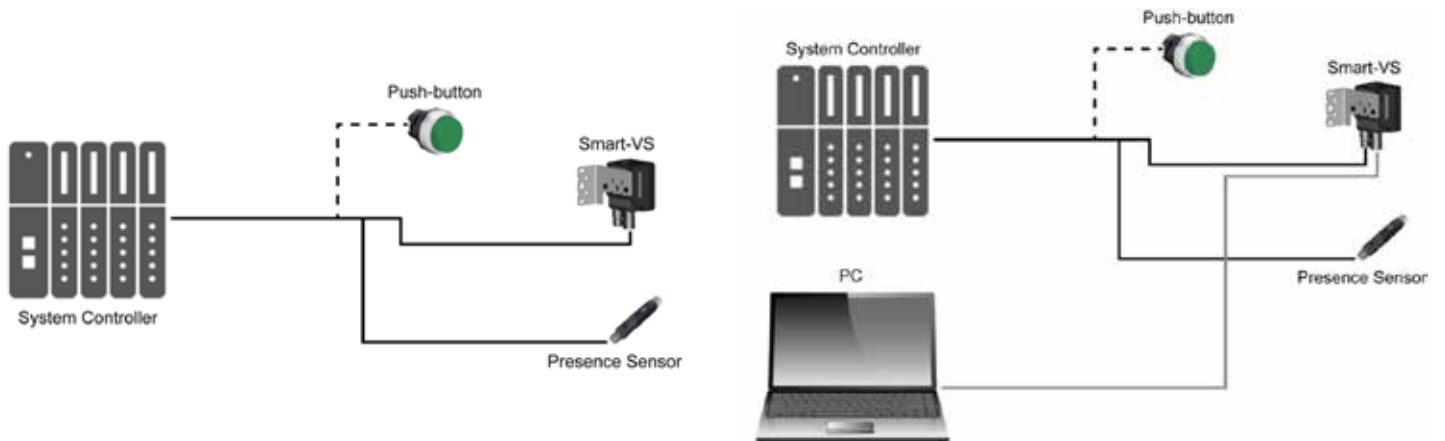


SMART-VS SETTING METHODS

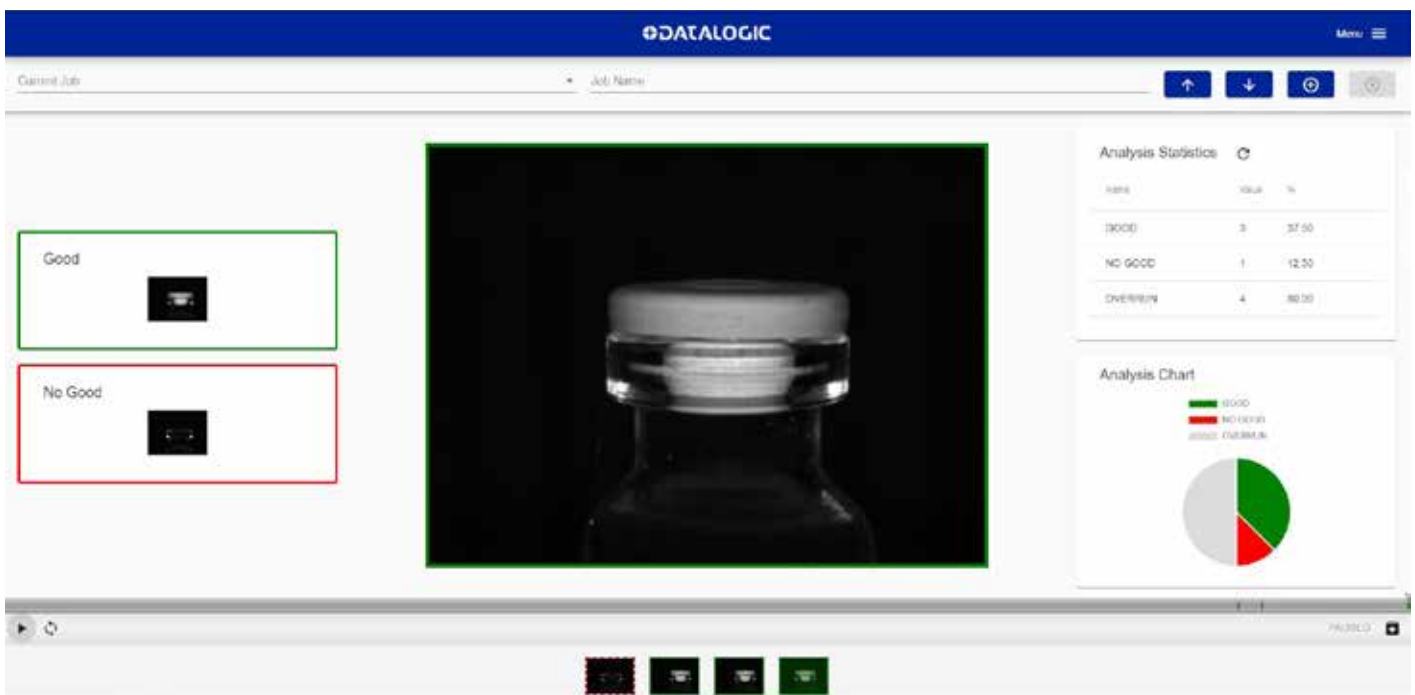
Easy and Comprehensive system integration

The Smart-VS is very easy and simple to integrate in any application, it can be implemented like a sensor product, but it is much simpler than a smart camera or an ordinary smart sensor.

It is needed to provide a trigger signal by machine electrical phase or an external simple sensor or an encoder. The PC or Ethernet based terminal is an option needed to change configuration of the sensor (once a time) or for more complex set-up where it is needed to change and/or add job setting through the web interface with a browser, in most cases the need to have this connection is not necessary. The web interface can be a useful tool in case of trouble shooting



WEB INTERFACE



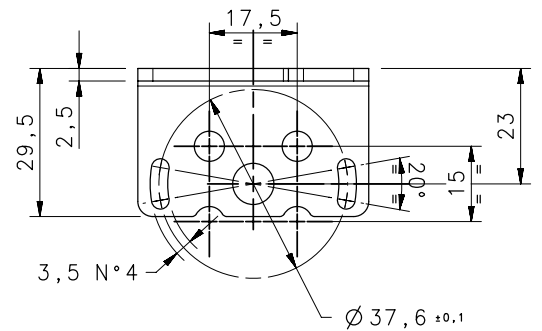
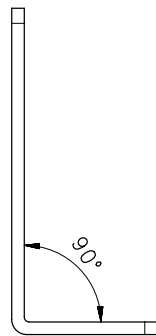
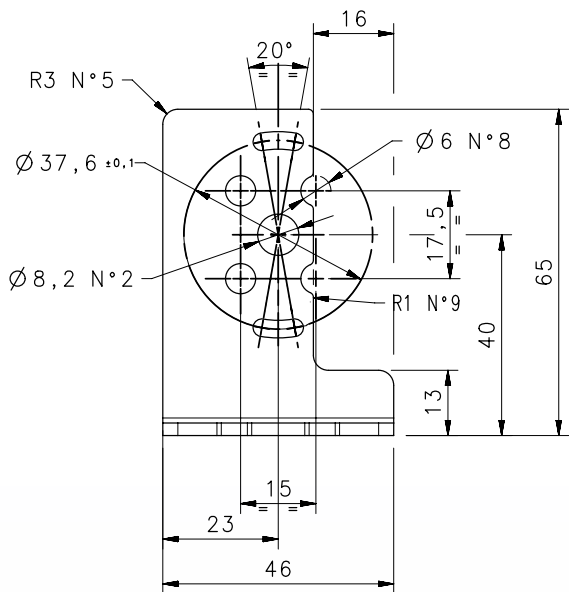
The Smart-VS is provided of a WEB Server User interface for an easy set-up and setting. This is a good option feature when it is needed to setup and change different production jobs depending on variable production format. The information are complete and shown in a clear layout.

MODEL SELECTION AND ORDER INFORMATION

| MODEL | DESCRIPTION | OPTIC | ILLUMINATOR | I/O | ORDER N° |
|------------------------|------------------|-------|-----------------|------------------|-----------|
| Smart-VS-MR-5-150-WH-0 | SVS WP 150mm OUT | 7mm | White polarized | 3Out + 2In + ETH | 959971320 |

ACCESSORIES

| CATEGORY | PART NUMBER | DESCRIPTION |
|----------------|-------------|--|
| Cables | 93A050076 | CAB-GD03 M12 F/L 3M Free wires |
| | 93A050077 | CAB-GD05 M12 F/L 5M Free wires |
| | 93A050122 | M12-IP67 GIGA Ethernet Cable X-Coded (1M) |
| | 93A050123 | M12-IP67 GIGA Ethernet Cable X-Coded (3M) |
| | 93A050124 | M12-IP67 GIGA Ethernet Cable X-Coded (5M) |
| | 93A050128 | Adapter Cable GIGA Ethernet X-Coded M12 to RJ45 |
| | 93A050129 | Adapter Cable GIGA Ethernet X-Coded M12 to D-Coded |
| Bracket | 93ACC0230 | BK-22-000 Fixing Bracket M220 Body |



BK-22-000 Fixing Bracket

Rev. 00, 04/2020

DATALOGIC PRODUCT OFFERING



Sensors



Hand Held
scanners



Mobile Computers



Laser Marking
Systems



Safety Laser
Scanner



Vision
Systems



Stationary
Industrial
Scanners



Safety Light
Curtains