

Thermal Inkjet

# Viper+

Ice

The Viper+ inkjet printer offers an impressive combination of functionality and simplicity in one, compact design.

Designed to address the needs of industrial users, the Viper+ thermal inkjet (TIJ) printer is the ideal coding and marking solution for a range of primary and secondary marking applications. From basic alphanumeric codes to complex bar codes and graphics, the Viper+ has the capability to print a wide range of codes on fast production lines. The Viper+ TIJ printer helps customers improve their productivity, quality and efficiency targets with features that include: automatic cartridge setup, temperature control and portable ink level tracking.



## Uptime Advantage

- Extensive communications protocol ideal for remote control and secondary applications
- Solid-state electronics with no moving parts
- No wear items or replacement parts outside of inkjet cartridge replacement
- Clean, no-mess operation

## Built in Productivity

- High resolution print (up to 600 dpi) suitable for high quality small and large font codes
- Wide range of primary and secondary packaging bar codes
- Can drive up to four printheads independently or together
- Ink level tracking that moves with the ink cartridge\*

## Code Assurance

- Template creation software with rules-based message fields
- Color touch screen with WYSIWYG image display to reduce set-up errors
- Selectable ink type setting ensures the right ink is being used\*
- Optional USB scanner for message selection

## Simple Usability

- Intuitive, graphical user interface with easy to learn icon-based controls
- Auto cartridge recognition\*
- Four printhead designs to aid packaging line integration

\* Feature available when using authentic Videojet TIJ ink cartridges

# Viper+

## Thermal Inkjet

### Line Speed / Resolution Capability

Maximum resolution of 600x600 dpi  
 5-360fpm (1.5-109mpm) at 600x240 dpi  
 Higher line speeds are possible at lower horizontal print resolutions

### Printing Capabilities

Full downloadable font support using TrueType® fonts  
 Fixed, variable and merged text fields  
 Flexible date/time and shift code formats  
 Auto best before date calculations  
 Auto incrementing/decrementing text and counters  
 Multiple graphic formats supported (up to maximum print area)

### Bar Codes

EAN8, EAN13, UPC-A/E, CODE 39, CODE128, EAN128, GS1 DataBar (including 2D composite), DataMatrix, QR, PDF417

### Print Cartridge

Maximum of four 12.7mm tall, 600 dpi print cartridges (stacked/stitched or deployed independently)  
 Features available with authentic Videojet TIJ ink cartridges: auto cartridge recognition and parameter set up, ink batch/lot number tracking; portable ink level tracking and enhanced print speeds

### Display

8.4-inch TFT SVGA (800x800) full-color LCD and touch screen  
 WYSIWYG print preview  
 Full on-board diagnostics  
 Three levels of password protection or advanced configurable password protection  
 Extensive language support (22 in total)

### Data Interface

RS232, Ethernet, USB memory stick support, Text Communications Protocols

### Controller Dimensions

9.6" (244mm) long  
 3.6" (92mm) wide  
 6.7" (170mm) high  
 Dimensions exclude printhead, accessory cables and power supply connections

### Printhead Dimensions

Four printhead options are available with different dimensions to meet line integration requirements. The following dimensions are for the Standard Blue printhead:  
 4.5" (115 mm) long  
 4.3" (110 mm) high  
 2.4" (60 mm) wide (at rub plate)  
 Dimensions exclude cartridge and cable connections  
 Red, Green, and Gold printhead dimensions vary in length and height from Blue printhead

### Temperature Range

41°F to 113°F (5°C to 45°C)

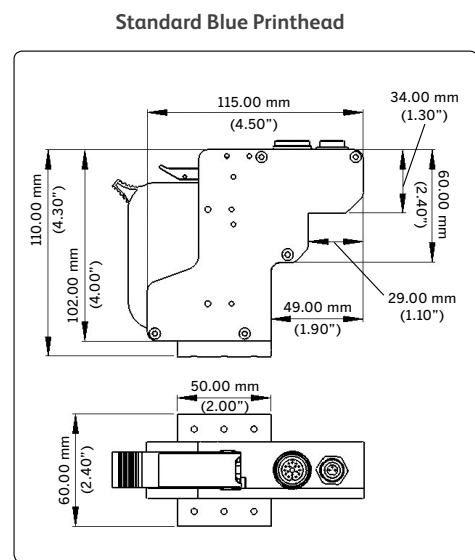
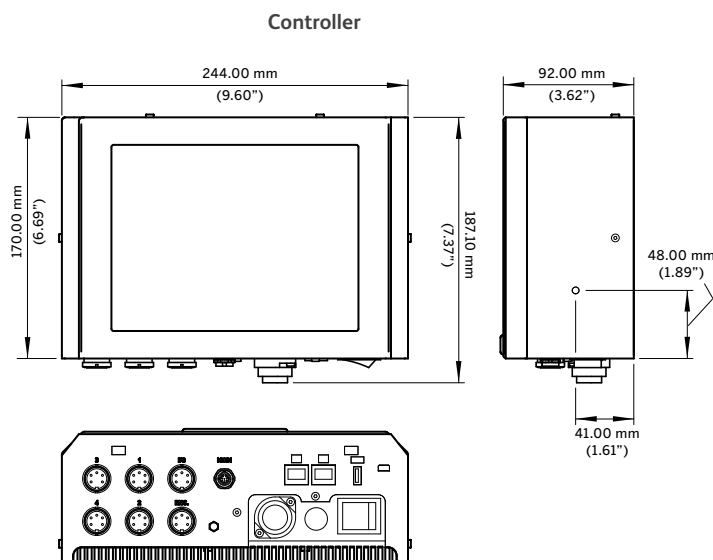
### Electrical Requirements

100-240 VAC 50/60Hz

### Approximate Weight (Controller)

7.0lbs (3.2kgs)

CERTIFIED  
 ISO 9001  
 DOCUMENTED QUALITY



Call +31 10 415 6400

Email [info@automator.nl](mailto:info@automator.nl)

visit [www.automator.nl](http://www.automator.nl)



Automator BV  
 Breevaartstraat 37  
 3044 AG Rotterdam  
 The Netherlands